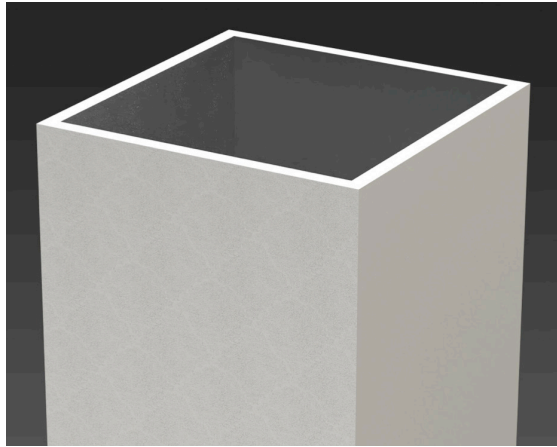


NLS-SSAP-WG
Square Straight Aluminum Pole



Avail. Size

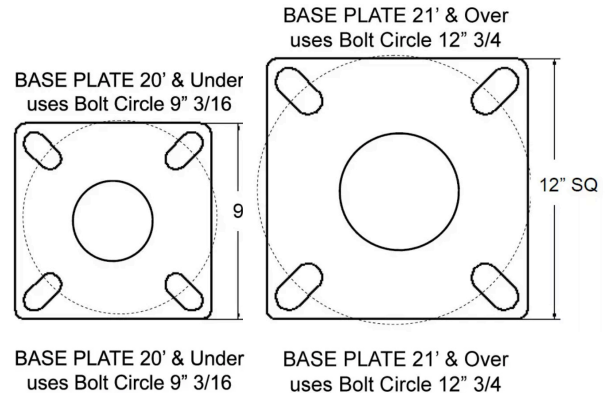


Customer Name: _____

Project Name: _____

Note: _____

Type: _____



Height:

- 10' - 25'

Pole Shaft:

- Square straight aluminum 6061 alloy, extruded pole shaft. Heat treated to produce a T6 temper. Ground lug welded inside hand hole opposite side of the Pole Extrusion. Pole shaft is welded to base plate on top and bottom of base plate.

Base Plate:

- Machined from aluminum. The Base Plate vary in size from 3/4" thick for poles 10 to 20 feet, or 1" thick for poles 20 feet and over.

Anchor Bolts:

- All anchor bolts are hot dipped galvanized steel and come with two galvanized nuts and washers per bolt. Minimum yield strength 50,000 psi. Anchor bolts are not included for Custom Bolt Circle.

Base Cover:

- All base covers are fabricated two-piece 6063 aluminum and powder coated to match the pole.

Hand-Hole:

- A reinforced hand-hole is 12" on center from the base plate and is constructed of 3"x 5" rectangular aluminum tubing which is welded to pole shaft for added strength. The hand-hole covers are provided with internal bridge support and powder coated to match pole finish.

Pole Cap:

- All poles come with removable polymer pole cap installed. All pole caps are black finish.

Finish:

- All poles are treated with sand blast media for a near white finish, power blasted with 100 psi prior to powder coat application. Poles are pre-heated then electrostatically applied polyester powder coat with a 3 to 5 mil thickness for maximum adherence.

Marine Grade Finish:

- All poles are washed through a 5-stage cleaning system with a deionized rinse, a 3 to 5 mils zinc rich durable polyester primer powder coat, followed by a 3 to 5 mils super durable polyester powder coat finish.

Anodized Under Powder:

- Anodized Under Powder (AUP) poles are dipped in a 3 step process for a clear anodized finish inside and outside of the pole. The final stage is electrostatically applied polyester powder coat with a 3 to 5 mil thickness for maximum adherence.

Vibration Dampener:

- The Vibration Dampener is factory installed. The Vibration Dampener consists of a rugged galvanized chain coated with heavy duty polyester tubing that is factory secured at the bottom 2-3rds of the pole and field secured by contractor at the base during installation.



Sample Ordering

Model	Height	Pole Dimension	Gauge	Base Pattern	Mounting	Color	Bolts	Options
SSAP	[]	[]	[]	[]	[]	[]	[]	[]
Square Straight Aluminum Pole (SSAP)	10' (10) 12' (12) 14' (14) 16' (16) 18' (18) 20' (20) 22' (22) 24' (24) 25' (25)	4" Square (4S) 5" Square (5S) 6" Square (6S)	.120 Wall Thickness (120) .188 Wall Thickness (188) .25 Wall Thickness (250)	(10'-20') 8 3/16" - 10 3/16" Bolt Circle (9BC) (22'-Over) 11 1/2" - 14" Bolt Circle (12BC) Custom Bolt Circle (CBC) * Consult Factory	Single (SGL) Double (D-90) (D-180) Triple (T-90) Quad (QD) No Drill (ND) * Tenon Option Tenon 2 3/8" Round (T2R) 3" Round (T3R) 3 1/2" Round (T312R) 4 1/2" Round (T412R) 3 1/2" Square (T312S) 4 1/2" Square (T412S) 5 1/2" Square (T512S)	Bronze Textured (BRZ) White Textured (WHT) Smooth White Gloss (SWT) Silver (SVR) Green Textured (GRN) Hunter Green Textured (HGN) Black Textured (BLK) Smooth Black Gloss (SBK) Graphite Textured (GPH) Grey Textured (GRY) Custom (CS)	3/4" x 30" (3430) 1" x 36" (136) Less Anchor Bolts (LAB)	GFI Kit (GFI20A) 20 Amp Weather Proof Receptacle GFI Provision Only (PROV) 1/2" Coupling (COUP) * Specify Location Vibration Dampener (VD) Extra Hand Hole (XHH) * Specify Location Marine Grade Finish (MGF) Anodized Under Powder (AUP)

Max. allowable EPA - SSAP poles (per AASHTO LRFDLTS-1)

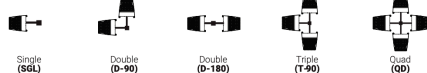
MODEL NO.	Shaft Length ft	Wall thickness in'	Shaft dia. in.	Base Plate	Bolt Circle	Bolt Circle, in.	80 mph	Max. wt (lb)	90 mph	Max. wt (lb)	100 mph	Max. wt (lb)	110 mph	Max. wt (lb)	115 mph	Max. wt (lb)	120 mph	Max. wt (lb)	130 mph	Max. wt (lb)	140 mph	Max. wt (lb)	150 mph	Max. wt (lb)	160 mph	Max. wt (lb)	170 mph	Max. wt (lb)	180 mph	Max. wt (lb)
SSAP-10-4S-120-9BC	10	0.120	4	9" sq x 3/4"	9-3/16"	3/4"x30"	20	500	18.5	463	14.5	363	11.6	290	10.6	265	9.4	235	7.7	194	6.3	159	5.3	134	4.6	116	4	101	3.6	89
SSAP-12-4S-120-9BC	12	0.120	4	9" sq x 3/4"	9-3/16"	3/4"x30"	18.8	470	14.5	363	11.3	283	8.8	220	7.8	196	6.9	174	5.5	139	4.4	111	3.7	91	3.2	79	2.7	66	2.4	60
SSAP-14-4S-120-9BC	14	0.120	4	9" sq x 3/4"	9-3/16"	3/4"x30"	15.2	380	11.4	285	8.6	216	6.6	166	5.8	146	5	126	3.9	99	3	74	2.4	60	2	60	1.7	60	1.4	60
SSAP-15-4S-120-9BC	15	0.120	4	9" sq x 3/4"	9-3/16"	3/4"x30"	13.6	340	10	250	7.5	189	5.6	141	4.9	124	4.2	106	3.2	79	2.4	60	1.8	60	1.4	60	1.2	60	1.0	60
SSAP-16-4S-120-9BC	16	0.120	4	9" sq x 3/4"	9-3/16"	3/4"x30"	11.2	280	8.2	206	6	151	4.4	111	3.8	96	3.3	81	2.4	60	1.6	60	1.1	60	0.9	60	0.7	60	0.5	60
SSAP-18-4S-120-9BC	18	0.120	4	9" sq x 3/4"	9-3/16"	3/4"x30"	8.8	221	6.2	156	4.4	111	3.1	76	2.5	61	2	60	1.2	60	0.6	60	0.2	60	-	60	-	60	-	60
SSAP-10-4S-188-9BC	10	0.188	4	9" sq X 3/4"	9-3/16"	3/4"x30"	20	500	20	500	22.8	570	18.5	463	16.9	423	15.2	380	12.8	320	10.6	265	9.2	196	7.8	196	6.9	174	6.1	154
SSAP-12-4S-188-9BC	12	0.188	4	9" sq X 3/4"	9-3/16"	3/4"x30"	20	500	20	500	18	450	14.6	365	13	325	11.9	298	9.8	245	8.0	200	6.7	145	5.8	145	5.1	128	4.4	110
SSAP-14-4S-188-9BC	14	0.188	4	9" sq X 3/4"	9-3/16"	3/4"x30"	20	500	18.5	463	14.4	360	11.4	285	10.2	255	9.3	233	7.4	185	6	150	4.9	106	4.2	106	3.7	91	3.2	79
SSAP-15-4S-188-9BC	15	0.188	4	9" sq X 3/4"	9-3/16"	3/4"x30"	20	500	16.7	418	13.1	328	10.3	258	8.9	223	8	201	6.4	161	5.1	129	4.1	89	3.6	89	3.1	76	2.6	64
SSAP-16-4S-188-9BC	16	0.188	4	9" sq X 3/4"	9-3/16"	3/4"x30"	18.6	465	14.2	355	10.9	273	8.3	209	7.4	186	6.5	164	5.1	128	4	100	3.2	66	2.7	66	2.3	60	2	60
SSAP-18-4S-188-9BC	18	0.188	4	9" sq X 3/4"	9-3/16"	3/4"x30"	15.3	383	11.5	288	8.5	214	6.4	161	5.6	141	4.8	121	3.7	91	2.7	66	2	60	1.6	60	1.3	60	1.1	60
SSAP-20-4S-188-9BC	20	0.188	4	9" sq X 3/4"	9-3/16"	3/4"x30"	12.5	313	9.2	230	6.6	166	4.7	119	4	101	3.4	84	2.3	60	1.5	60	0.9	60	0.7	60	0.4	60	0.3	60
SSAP-22-4S-188-12BC	22	0.188	4	12"sq X 1"	12-3/4"	1"x36"	9.3	233	6.4	161	4.4	110	3	75	2.4	60	1.9	60	1	60	0.3	60	-	60	-	60	-	60	-	60
SSAP-24-4S-188-12BC	24	0.188	4	12"sq X 1"	12-3/4"	1"x36"	7.1	179	4.6	116	3	74	1.7	60	1.2	60	0.7	60	-	60	-	60	-	60	-	60	-	60	-	60
SSAP-25-4S-188-12BC	25	0.188	4	12"sq X 1"	12-3/4"	1"x36"	6.2	155	3.9	97	2.3	60	1	60	0.5	60	0.1	60	-	60	-	60	-	60	-	60	-	60	-	60
SSAP-15-4S-250-9BC	15	0.250	4	9" sq X 3/4"	9-3/16"	3/4"x30"	20	500	20	500	16.1	403	12.8	320	11.5	288	10.2	255	8.2	206	6.7	169	5.5	138	4.7	119	4	101	3.6	90
SSAP-16-4S-250-9BC	16	0.250	4	9" sq X 3/4"	9-3/16"	3/4"x30"	20	500	17.8	445	13.9	348	10.9	273	9.6	240	8.7	218	6.9	172	5.5	138	4.5	113	3.9	97	3.3	83	2.8	70
SSAP-18-4S-250-9BC	18	0.250	4	9" sq X 3/4"	9-3/16"	3/4"x30"	19.9	498	14.9	373	11.5	288	8.9	223	7.8	195	6.8	170	5.4	135	4.2	105	3.3	83	2.7	68	2.3	60	1.9	60
SSAP-20-4S-250-9BC	20	0.250	4	9" sq X 3/4"	9-3/16"	3/4"x30"	17.1	424	12.8	320	9.5	238	7.1	179	6.3	158	5.4	136	4	100	2.9	73	2.1	60	1.7	60	1.4	60	1.1	60
SSAP-22-4S-250-12BC	22	0.250	4	12"sq X 1"	12-3/4"	1"x36"	12.9	323	9.3	233	6.8	171	4.9	124	4.1	104	3.6	89	2.4	60	1.5	60	0.9	60	0.7	60	0.5	60	0.3	60
SSAP-24-4S-250-12BC	24	0.250	4	12"sq X 1"	12-3/4"	1"x36"	10.4	260	7.3	184	5	126	3.5	86	2.8	69	2.2	60	1.2	60	4	60	-	60	-	60	-	60	-	60
SSAP-25-4S-250-12BC	25	0.250	4	12"sq X 1"	12-3/4"	1"x36"	9.4	235	6.4	160	4.3	108	2.7	68	2.1	60	1.6	60	0.6	60	-	60	-	66	-	60	-	60	-	60

*Pole Assemblies With EPA>9.0 Require Specific Review

*Anchor Bolts are NOT Included with Custom Bolt Circle, Do NOT pour concrete referencing this drawing. Consult Factory.

*All wind loading calculations are based on sustained wind force plus an additional 1.3 gust.

MOUNTING CONFIGURATION



Max. allowable EPA - SSAP poles (per AASHTO LRFDLTS-1)

MODEL NO.	Shaft Length ft	Wall thickness in'	Shaft dia., in.	Base Plate	Bolt Circle	Bolt Circle, in.	80 mph	Max. wt (lb)	90 mph	Max. wt (lb)	100 mph	Max. wt (lb)	110 mph	Max. wt (lb)	115 mph	Max. wt (lb)	120 mph	Max. wt (lb)	130 mph	Max. wt (lb)	140 mph	Max. wt (lb)	150 mph	Max. wt (lb)	160 mph	Max. wt (lb)	170 mph	Max. wt (lb)	180 mph	Max. wt (lb)
SSAP-10-55-120-9BC	10	0.120	5	9" sq.x 3/4"	9-3/16"	3/4"x30"	20	500	20	500	20	500	19.5	488	17.6	440	16.2	405	13.7	343	11.7	293	10.1	253	8.8	219	7.6	191	6.7	169
SSAP-12-55-120-9BC	12	0.120	5	9" sq.x 3/4"	9-3/16"	3/4"x30"	20	500	20	500	19	475	15.3	383	13.6	340	12.3	308	10.5	263	8.9	221	7.6	191	6.6	166	5.7	144	5.1	126
SSAP-14-55-120-9BC	14	0.120	5	9" sq.x 3/4"	9-3/16"	3/4"x30"	20	500	19.6	490	15.2	380	12.1	303	10.6	265	9.7	243	7.9	199	6.7	169	5.7	144	5	124	4.3	106	3.8	94
SSAP-15-55-120-9BC	15	0.120	5	9" sq.x 3/4"	9-3/16"	3/4"x30"	20	500	17.8	445	13.6	340	10.7	268	9.5	238	8.3	209	6.9	174	5.8	146	5	124	4.3	106	3.7	91	3.2	79
SSAP-16-55-120-9BC	16	0.120	5	9" sq.x 3/4"	9-3/16"	3/4"x30"	19.9	498	14.8	370	11.4	285	8.7	216	7.6	191	6.7	169	5.7	141	4.7	116	4	99	3.4	84	2.9	71	2.5	61
SSAP-18-55-120-9BC	18	0.120	5	9" sq.x 3/4"	9-3/16"	3/4"x30"	16.3	408	12.1	303	8.9	221	6.5	164	5.7	141	5	124	4.1	101	3.3	81	2.8	69	2.3	60	1.9	60	1.6	60
SSAP-10-55-188-9BC	10	0.188	5	9" sq X 3/4"	9-3/16"	3/4"x30"	20	500	20	500	20	500	20	500	20	500	20.0	500	20	500	18.7	468	16.2	405	14	350	12.5	313	11.1	278
SSAP-12-55-188-9BC	12	0.188	5	9" sq X 3/4"	9-3/16"	3/4"x30"	20	500	20	500	20	500	20	500	20	500	20.0	500	17.2	430	14.6	365	12.6	315	11.1	278	9.8	245	8.5	214
SSAP-14-55-188-9BC	14	0.188	5	9" sq X 3/4"	9-3/16"	3/4"x30"	20	500	18.5	500	20	500	19.9	498	17.9	448	16.4	410	13.8	345	11.6	290	10	250	8.7	218	7.6	190	6.7	168
SSAP-15-55-188-9BC	15	0.188	5	9" sq X 3/4"	9-3/16"	3/4"x30"	20	500	16.7	500	20	500	18.1	453	15.1	403	14.6	365	12.4	310	10.4	260	8/9	223	7.8	195	6.8	170	6	150
SSAP-16-55-188-9BC	16	0.188	5	9" sq X 3/4"	9-3/16"	3/4"x30"	20	500	14.2	500	19.1	478	15.1	378	13.5	338	12.2	305	10.2	255	8.6	215	7.4	186	6.4	161	5.6	139	4.9	121
SSAP-18-55-188-9BC	18	0.188	5	9" sq X 3/4"	9-3/16"	3/4"x30"	20	500	11.5	500	15.8	395	12.4	310	11	275	9.9	248	8.1	203	6.8	170	5.8	145	5	125	4.3	108	3.7	93
SSAP-20-55-188-9BC	20	0.188	5	9" sq X 3/4"	9-3/16"	3/4"x30"	20	500	9.2	433	13.1	328	10	250	8.6	215	7.6	190	6.3	158	5.2	130	4.4	110	3.7	93	3.2	80	2.7	68
SSAP-22-55-188-12B	22	0.188	5	9" sq X 3/4"	9-3/16"	3/4"x30"	17.9	448	6.4	328	9.7	243	7	175	6	150	5.2	130	4.2	105	3.4	85	2.8	70	2.3	60	1.9	60	1.6	60
SSAP-24-55-188-12BC	24	0.188	5	12" sq X 1"	12-3/4"	1"x36"	15	375	10.5	263	7.5	187	5.2	130	4.3	108	3.6	90	2.8	70	2.2	60	1.7	60	1.4	60	1.1	60	0.8	60
SSAP-25-55-188-12BC	25	0.188	5	12" sq X 1"	12-3/4"	1"x36"	13.6	340	9.4	235	6.5	162	4.3	108	3.5	88	2.9	73	2.2	60	1.6	60	1.2	60	0.9	60	0.6	60	0.4	60
SSAP-10-55-250-9BC	10	0.250	5	9" sq X 3/4"	9-3/16"	3/4"x30"	20	500	20	500	20	500	20	500	20	500	20.0	500	20	500	18.2	455	15.9	398	14	350	12.5	313		
SSAP-12-55-250-9BC	12	0.250	5	9" sq X 3/4"	9-3/16"	3/4"x30"	20	500	20	500	20	500	20	500	20	500	20.0	500	19.3	483	16.7	418	11.6	360	12.7	318	11	275	9.9	248
SSAP-14-55-250-9BC	14	0.250	5	9" sq X 3/4"	9-3/16"	3/4"x30"	20	500	20	500	20	500	20	500	20	500	18.9	473	15.7	393	13.4	335	10.6	290	10	250	9	225	7.8	196
SSAP-15-55-250-9BC	15	0.250	5	9" sq X 3/4"	9-3/16"	3/4"x30"	20	500	20	500	20	500	20	500	18.7	468	16.9	423	14.2	355	12.2	305	8.8	265	9	225	7.8	195	7.1	178
SSAP-16-55-250-9BC	16	0.250	5	9" sq X 3/4"	9-3/16"	3/4"x30"	20	500	20	500	20	500	17.7	433	15.9	398	14.3	358	12.2	305	10.3	258	8.5	220	7.6	190	6.7	168	5.9	148
SSAP-18-55-250-9BC	18	0.250	5	9" sq X 3/4"	9-3/16"	3/4"x30"	20	500	18.7	468	14.8	370	13.2	330	11.9	298	9.9	284	8.2	206	7	176	6.1	154	5.4	134	4.7	116		
SSAP-20-55-250-9BC	20	0.250	5	9" sq X 3/4"	9-3/16"	3/4"x30"	20	500	15.9	398	12.2	305	10.8	270	9.6	240	8	201	6.7	169	5.7	144	4.9	121	4.2	105	3.6	90		
SSAP-22-55-250-12BC	22	0.250	5	9" sq X 3/4"	9-3/16"	3/4"x30"	20	500	16.3	408	12.4	310	9.3	233	8.0	200	7.1	178	5.8	145	4.8	120	4.2	105	3.4	85	2.9	73	2.5	63
SSAP-24-45-250-12BC	24	0.250	5	12" sq X 1"	12-3/4"	1"x36"	20	500	14.6	365	10.6	265	7.8	195	6.8	170	5.9	148	4.8	120	3.9	97	3.2	80	2.7	68	2.1	60	1.8	60
SSAP-25-45-250-12BC	25	0.250	5	12" sq X 1"	12-3/4"	1"x36"	18.7	469	13.4	355	9.7	243	7	175	5.9	148	5.2	130	4.1	103	3.4	85	2.7	68	2.2	60	1.7	60	1.5	60

*Pole Assemblies With EPA=9.0 Require Specific Review



Max. allowable EPA - SSAP poles (per AASHTO LRFDLTS-1)

MODEL NO.	Shaft Length ft	Wall thickness in'	Shaft dia., in.	Base Plate	Bolt Circle	Bolt	80 mph	Max. wt (lb)	90 mph	Max. wt (lb)	100 mph	Max. wt (lb)	110 mph	Max. wt (lb)	115 mph	Max. wt (lb)	120 mph	Max. wt (lb)	130 mph	Max. wt (lb)	140 mph	Max. wt (lb)	150 mph	Max. wt (lb)	160 mph	Max. wt (lb)	170 mph	Max. wt (lb)	180 mph	Max. wt (lb)
SSAP-10-65-120-9BC	10	0.120	6	9" sq.x 3/4"	9-3/16"	3/4"x30"	20	500	15.6	390	11.7	293	8.7	218	7.5	188	6.5	163	4.8	120	3.5	88	2.4	60	1.5	60	0.8	60	0.2	60
SSAP-12-65-120-9BC	12	0.120	6	9" sq.x 3/4"	9-3/16"	3/4"x30"	15.6	390	11.1	278	7.7	193	5.3	133	4.4	110	3.6	90	2.2	60	1.1	60	0.2	60	-	-	-	-	-	-
SSAP-14-65-120-9BC	14	0.120	6	9" sq.x 3/4"	9-3/16"	3/4"x30"	11.4	285	7.5	188	4.7	118	2.7	68	1.9	60	1.2	60	-	-	-	-	-	-	-	-	-	-	-	-
SSAP-16-65-120-9BC	16	0.120	6	9" sq.x 3/4"	9-3/16"	3/4"x30"	7.3	183	4.2	105	2	60	0.4	60	-	-	-	-	-	-	-	-	-	-	-	-	-	-	-	-
SSAP-18-65-120-9BC	18	0.120	6	12" sq.x 1"	9-3/16"	3/4"x30"	4.5	113	1.8	60	-	-	-	-	-	-	-	-	-	-	-	-	-	-	-	-	-	-	-	-
SSAP-20-65-120-9BC	20	0.120	6	12" sq.x 1"	12-3/4"	1"x36"	2.1	60	-	-	-	-	-	-	-	-	-	-	-	-	-	-	-	-	-	-	-	-	-	-
SSAP-22-65-120-9BC	22	0.120	6	12" sq.x 1"	12-3/4"	1"x36"	-	-	-	-	-	-	-	-	-	-	-	-	-	-	-	-	-	-	-	-	-	-	-	-
SSAP-24-65-120-9BC	24	0.120	6	12" sq.x 1"	12-3/4"	1"x36"	-	-	-	-	-	-	-	-	-	-	-	-	-	-	-	-	-	-	-	-	-	-	-	-
SSAP-25-65-120-9BC	25	0.120	6	12" sq.x 1"	12-3/4"	1"x36"	-	-	-	-	-	-	-	-	-	-	-	-	-	-	-	-	-	-	-	-	-	-	-	-
SSAP-10-65-188-9BC	10	0.188	6	9" sq X 3/4"	9-3/16"	3/4"x30"	20	500	20	500	20	500	16.1	403	14.3	358	12.7	318	10.1	253	7.9	198	6.2	155	4.9	123	3.7	93	2.9	73
SSAP-12-65-188-9BC	12	0.188	6	9" sq X 3/4"	9-3/16"	3/4"x30"	20	500	20	500	15.2	380	11.5	288	10	250	8.6	215	6.4	160	4.7	118	3.4	85	2.3	60	1.3	60	0.5	60
SSAP-14-65-188-9BC	14	0.188	6	9" sq X 3/4"	9-3/16"	3/4"x30"	20	500	15.3	383	11	275	7.8	195	6.5	163	5.4	135	3.7	93	2.2	60	1.0	60	-	-	-	-	-	-
SSAP-16-65-188-9BC	16	0.188	6	9" sq X 3/4"	9-3/16"	3/4"x30"	15.3	383	10.5	263	7	175	4.5	113	1.5	88	2.6	65	1.1	60	-	-	-	-	-	-	-	-	-	-
SSAP-18-65-188-9BC	18	0.188	6	9" sq X 3/4"	9-3/16"	3/4"x30"	11.6	290	7.2	180	4.2	105	2.1	60	1.2	60	0.4	60	-	-	-	-	-	-	-	-	-	-	-	-
SSAP-20-65-188-9BC	20	0.188	6	12" sq X 1"	12-3/4"	1"x36"	8.2	205	4.4	110	1.9	60	-	-	-	-	-	-	-	-	-	-	-	-	-	-	-	-	-	-
SSAP-22-65-188-12B	22	0.188	6	12" sq X 1"	12-3/4"	1"x36"	4.7	118	1.7	60	-	-	-	-	-	-	-	-	-	-	-	-	-	-	-	-	-	-	-	-
SSAP-24-65-188-12BC	24	0.188	6	12" sq X 1"	12-3/4"	1"x36"	2.3	60	-	-	-	-	-	-	-	-	-	-	-	-	-	-	-	-	-	-	-	-	-	-
SSAP-25-65-188-12BC	25	0.188	6	12" sq X 1"	12-3/4"	1"x36"	1	60	-	-	-	-	-	-	-	-	-	-	-	-	-	-	-	-	-	-	-	-	-	-
SSAP-10-65-250-9BC	10	0.250	6	9" sq X 3/4"	9-3/16"	3/4"x30"	20	500	20	500	20	500	20	500	19.9	498	17.9	448	14.5	363	11.8	295	9.6	240	7.8					

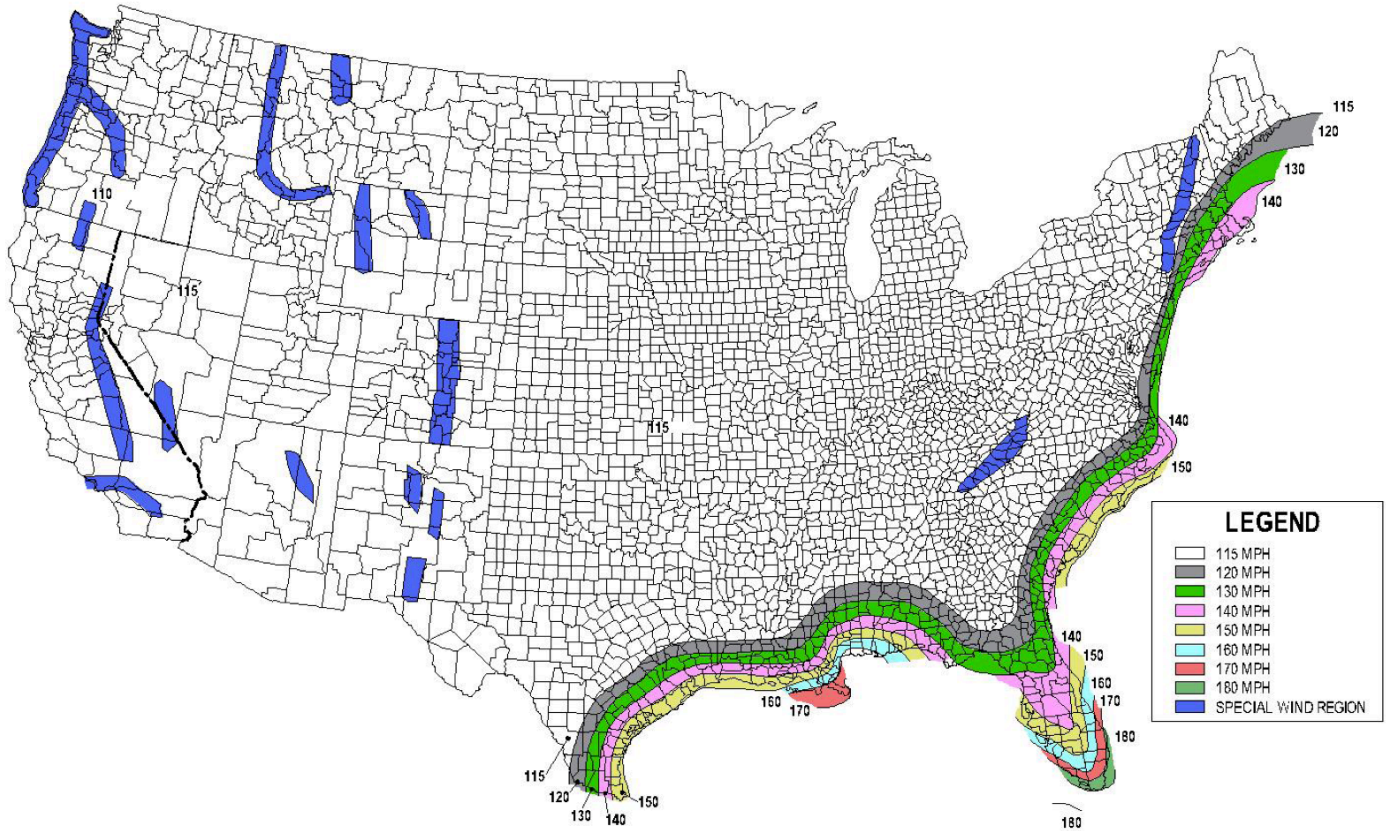
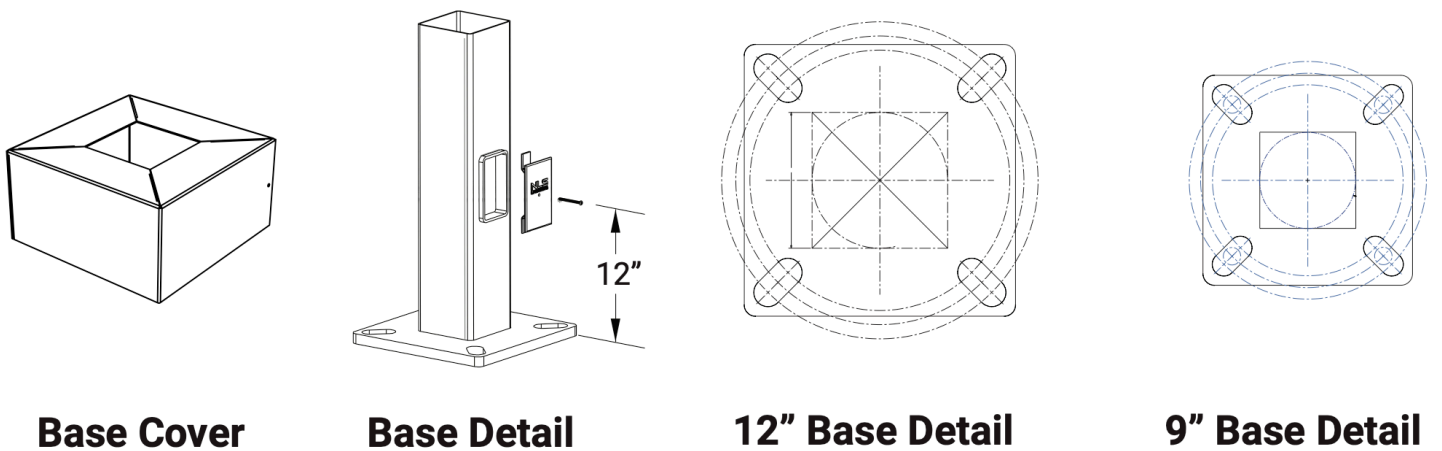


FIG. 3.8-1b - 700-Year MRI Basic Wind Speed, mph (AASHTO LRFDLTS-1)

- 1) All wind load calculations are based on sustained wind force plus and additional 1.3 gust
- 2) Wind Map is to be used as a reference only. Please coordinate with local agencies for further review.
- 3) Wind Map values are based on a 50 year mean recurrence. These values do not account for severe conditions, such as hurricanes, tornadoes, etc...
- 4) For review of poles with additional configurations (arms, banners, shorter/longer pole lengths, etc...), please contact factory.



Base Cover

Base Detail

12" Base Detail

9" Base Detail